

# S107P

## PORTABLE SERIAL CONVERTER RS232 <-> RS485/422

Serial interface converter from RS232 to RS485 which are necessary in order to allow the personal computer to communicate with any external device with an RS485/422 interface, up to a maximum of 32 users and maximum velocity of 1115.200 bps.

Ideal for programming all of the modules of the Z-PC Series.

As they have galvanic isolation, they protect the computer from possible overvoltage or short-circuits which could arise from the devices connected by means of the RS485.

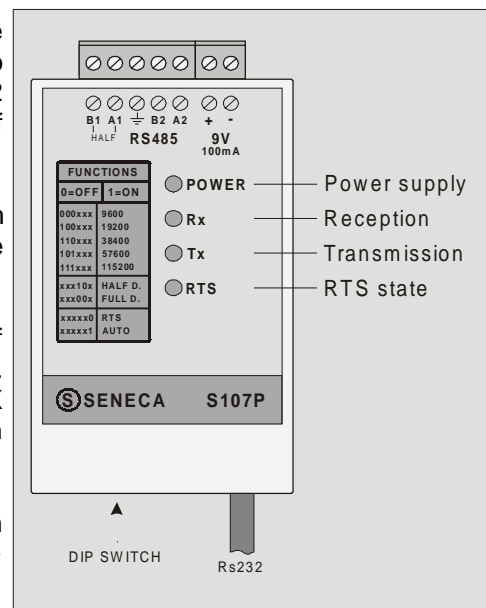
They can be used as converters with automatic change of direction (timed) otherwise piloted by the RTS (RS232) signal. Furthermore, they allow both HALF as well as FULL DUPLEX communication (simultaneous reception and transmission on RS485).

Velocity, type of communication and change of direction system can be set quite easily by means of the dip-switch located on one side of the converters.

The LEDs located on the front panel allow for the functioning of the converter itself to be checked: the presence of power, reception and transmission of data, state of the RTS signal.

Contained in a very versatile case, it is connected directly to the serial port of the PC by means of the DB9 female connector and a 90 cm long cable. The connection to the RS485 side is instead provided by means of an extractable terminal box.

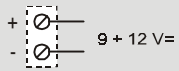
The converter requires an auxiliary source of power supply of 9/12 Vdc; **the order includes the 220 Vac net power supply.**



### TECHNICAL DATA

- Power supply : 9 - 12 Vdc 100 mA
- Galvanic separation RS232 // RS485 and power supply // RS485 : 1000 Vac
- Interface 1 : serial RS232 on a DB9 connector
- Interface 2 : serial RS485/422, extractable clamps with screw type connections
- Functioning method : 2 Half Duplex wires, 4 Full Duplex wires, point-point or multidrop
- Change of direction : automatic timing, command from RTS from the interface RS232
- Communication velocity : settable between 9600, 19200, 38400, 57600, 115200 bps
- Connection distance : up to 1200 m
- Case : in ABS
- Dimensions : 100 x 50 x 25 mm

**POWER SUPPLY**

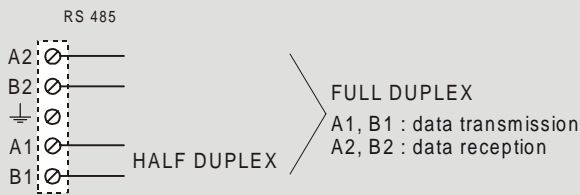


Power voltage must be in a range from 9 to 12 Vcc.  
Upper limits must be exceeded, if it happen there could be damages for module.

**Rs232 SERIAL INTERFACE**

The PC connection must be effected by the female DB9 connector of the converter.

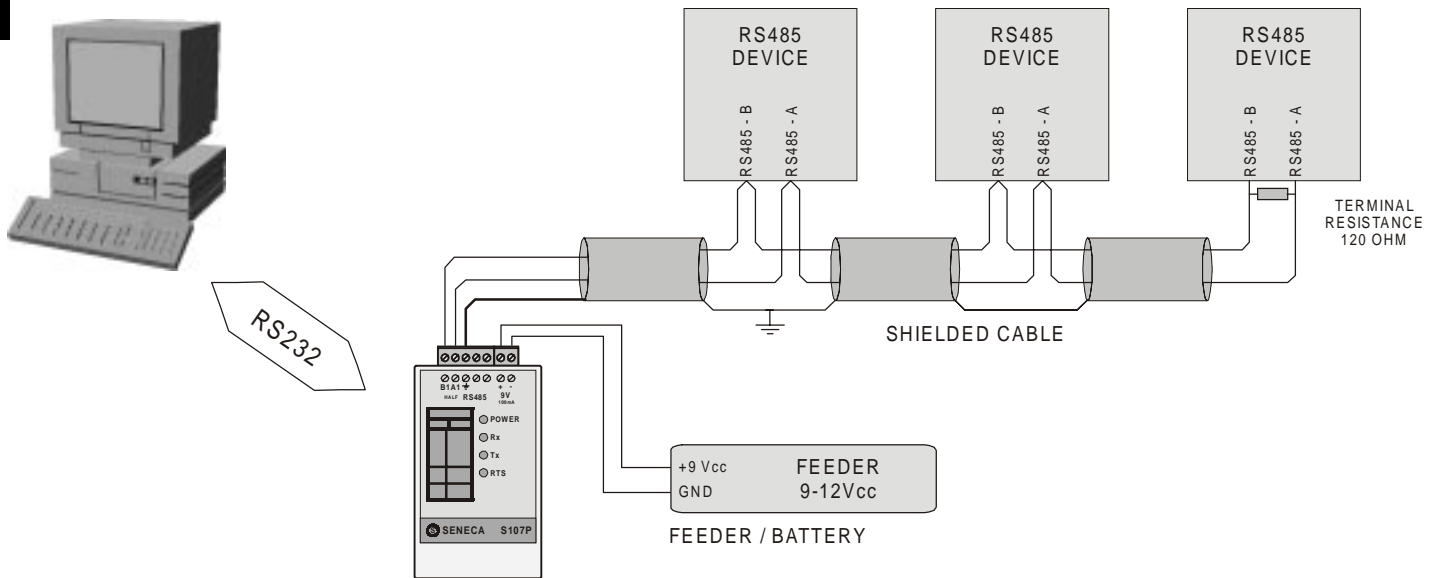
**Rs485 SERIAL INTERFACE**



**EXAMPLES**

17

Example of Half Duplex multipoint connexion



Via Germania, 34 - 35127 PADOVA - ITALY  
Tel. +39 049 8705355 - 8705359 - 8705408  
Fax +39 049 8706287  
e-mail: info@seneca.it  
Internet: www.seneca.it

ISO 9001

