

Z-PC LINE CANopen Analog I/O modules

ZC-8AI

8-CH Analog Input module / CANopen



Power Supply	10..40 Vdc, 19..28 Vac
Isolation	1,5 kVac (6 way)
Response time	20 ms (4 channels); 40 ms (8 channels)
Accuracy	0,05%
A/D resolution	15 bit
Transducers Power Supply	8 sensors (max 22 mA)
Channels	8 (voltage range ± 10 V; current range 0..20, 4..20 mA)
Supported Protocols	CAN bus standard (2.0A), CANopen (CiA 401 v.2.01)
Dip-Switches	Baud rate and ID Node configuration
Operating Temperature	-10..+65°C
Dimension (W*H*D)	17,5 x 100 x 112 mm



➔ For additional information please refer to www.seneca.it

ZC-8AI

8-CH Analog Input | CANopen



ORDER CODES

Model	ZC-8AI	8-CH Analog Input CANopen, 10..40 Vdc / 19..28 Vac
Accessories	Z-PC-DINAL2-17.5 Z-PC-DIN2-17.5 Z-PC-DIN8-17.5 PM001601	Terminal block for power / bus + 2 slot 17.5 mm 2 slot block 17.5 mm 8 slot block 17.5 mm Programming serial cable Jack / DB9F
Configuration		EDS File (Electronic Data Sheet) free on www.seneca.it

TECHNICAL FEATURES

GENERAL DATA

Power Supply	10..40 Vdc; 19..28 Vac
Max consumption	5 W (with all sensors supplied)
Sensors Power Supply	Up to 8 (22 mA @ 16.5 V) 2/3 wires
Isolation	1,5 kVac (6 way)
Input Protection	Against ESD up to 4 kV
Status Indicators (LED)	Power Supply, communication, input fault
Dimension (WxHxD)	17,5 X 100 x 112 mm
Enclosure, weight, color	PBT, 140 g, black
Operating temperature	-10..+65°C
Connections	Screw-fit removable for wires up to 3.5 mm IDC10 Back connector for DIN rail frontal Jack RS232 (ModBUS) (COM) connection
Protection degree	IP20
Configuration	DIP switches (baud rate, Node ID) EDS IEC 61131
Supported Protocols	CAN bus standard (2.0A) CANopen (profile CiA 401 v.2.01) ModBUS RTU (via RS232)
Max CANopen Speed	1 Mbps
Norms & Approvals	CE, EN 61000-6-4, EN 64000-6-2, EN 61010-1 CAN 2.0A CiA 401 v.2.01 IEC EN 61131-2

INPUT DATA

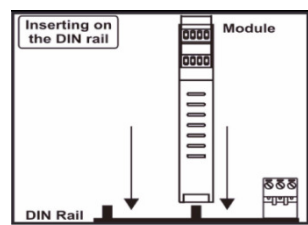
Channels	8 (isolated by couples)
Type	Voltage (0-10 V); Current (0-20 mA)
A/D Resolution	Configurable 14 or 15 bit
Thermal Drift	< 100 ppm/°C
Sampling Frequency	11..48 Hz
Rejection	Settable 50 o 60 Hz
Refresh time	< 20 ms

CANOPEN FEATURES

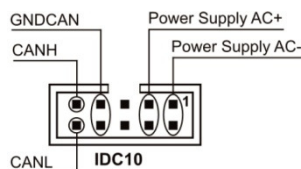
NMT	Slave
Error control	Node guarding
Node ID	Software, DIP-switches
Nr PDO	RX 5
PDO Modes	Event Triggered, Sync (cyclic), Sync (acyclic)
PDO linking	Yes
PDO mapping	Yes, Variable
Nr SDO Server	1
Emergency Messages	Yes
Application layer	CiA 301 v. 4.02
Profile	CiA 401 v. 2.01

ELECTRICAL CONNECTIONS

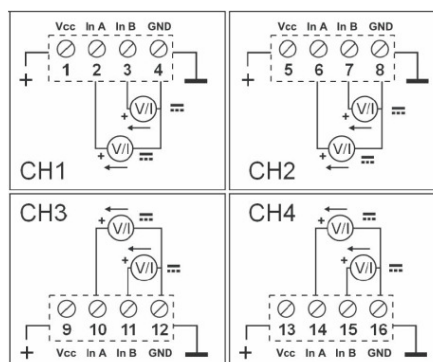
Module insertion on DIN guide 46277



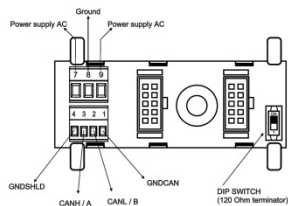
IDC10 Back Connector



Analog Input



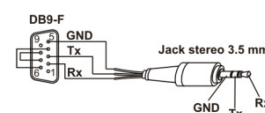
Backplane bus Z-PC DIN



CANbus Connection Norms

Baud rate	Lunghezza bus	Lunghezza derivazione
20 kbps	1000 m	150 m
50 kbps	1000 m	60 m
125 kbps	500 m	5 m
250 kbps	250 m	5 m
500 kbps	100 m	5 m
800 kbps	50 m	3 m
1000 kbps	25 m	0.3 m

RS232 – DB9F / Jack stereo Serial connection



via Germania, 34 • 35127 Padova - Italy - Ph +39 049 87.05.359 (.408)
Fax +39 049 87.06.287 • www.seneca.it • info@seneca.it

Document subject to modifications and revisions. Reproduction forbidden if not authorized.