

Z LINE • Converters / Isolators

17,5 mm housing

Z202-LP

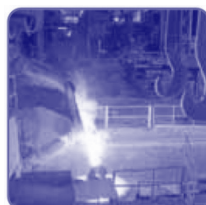
AC / DC voltage to DC isolator / converter, loop powered



DC & AC VOLTAGE CONVERSION



Power supply	loop power supply (5..28Vdc)
Input	0..500 Vac - 0..540 Vdc with different range (field selectable)
Output	4...20mA
Galvanic isolation	4,0 kVac
Maximun Voltage	710 Vpk range independent
Frequency	DC / 20 Hz .. 400 Hz
Precision Class	0,3
Response time	< 100 ms from 10 to 90 %
Dimensions	17,5 x 100 x 112 mm [w x h x d]
Operating temperature	- 20..+65 °C



➔ For further information, please visit www.seneca.it

Z202-LP

AC / DC voltage to DC isolator / converter, loop powered



ORDER CODE

Model **Z202-LP** AC / DC voltage to DC isolator / converter, loop powered

TECHNICAL FEATURES

GENERAL FEATURES

Power supply	5±28Vdc
Channels	N.1
Accuracy	0,3%
Status indicators	Power
Galvanic Isolation	4000 Vac
Hot swapping	Yes
Response time	< 100 ms
Overvoltage class	- CAT III up to 300 Vac towards ground. - CAT II up to 600 Vac towards ground.
Humidity	30..90% a +40 °C (non condensing)
Approvals	CE

Design	Terminal housing for mounting on 35 mm DIN 46277
DIP Switch	Inputs signal setup
Enclosure	"V0" self-extinguishing glass filled nylon case
Dimensions	17,5 x 100 x 112 mm (w x h x d)
Weight	140 g
Operating temperature	-20..65 °C
Connections	Plug-in screw clamp terminal blocks, wires up to 2.5 mm ²
IP Protection	IP 20
Standards	EN60688/1997 + A1 + A2 EN61000-6-4/2002-10 EN61000-6-2/2006-10 EN61010-1/2001

INPUT

- **Alternate Voltage:** 0..500 Vac
- **Direct Voltage:** 0..540 Vdc
Are available N.5 presetted scales: each range can be set and extended to the next one, and it's possible to calibrate the instrument on any intermediate point in the continuous range of 0..500 V, without either over-setting the fixed ranges, or opening the instrument (multi-rev trimmer accessible from front panel).

OUTPUT

Current: Passive, 4..20 mA

INSTALLATION, CONNECTION, DIMENSIONS

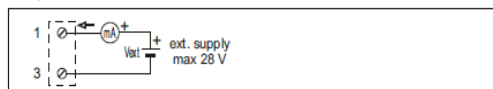
SETTINGS

Range	DIP	Range / Trimmer	DIP
100Vac / 90 Vdc	on off 1234	100 Vac + 0..100 Vac / 90 Vdc + 0..90 Vdc	on off 1234
200Vac / 180 Vdc	on off 1234	200 Vac + 0..100 Vac / 180 Vdc + 0..90 Vdc	on off 1234
300Vac / 270 Vdc	on off 1234	300 Vac + 0..100 Vac / 270 Vdc + 0..90 Vdc	on off 1234
400Vac / 360 Vdc	on off 1234	400 Vac + 0..100 Vac / 360 Vdc + 0..90 Vdc	on off 1234
500Vac / 450 Vdc	on off 1234	500 Vac + 0..100 Vac / 450 Vdc + 0..90 Vdc ⁽¹⁾	on off 1234

(1): Maximum input voltage must not exceed 500 Vac o 710 Vpk anyway.

INPUT / OUTPUT (POWER SUPPLY)

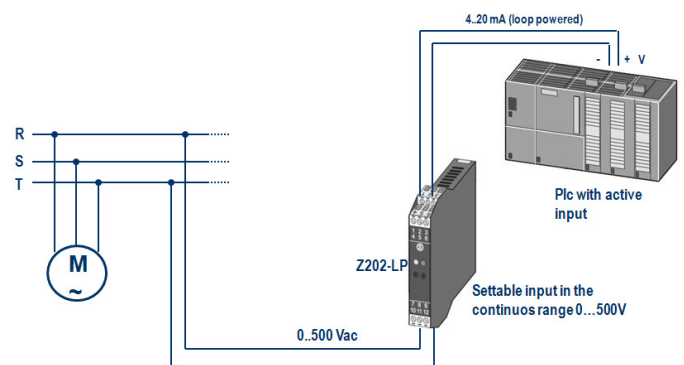
Loop connections



Voltage input connections



APPLICATION EXAMPLE



via Germania, 34 • 35127 Padova - Italy - Ph +39 049 87.05.359 (.408)
Fax +39 049 87.06.287 • www.seneca.it • info@seneca.it

Document subject to modifications and revisions. Reproduction forbidden if not authorized.